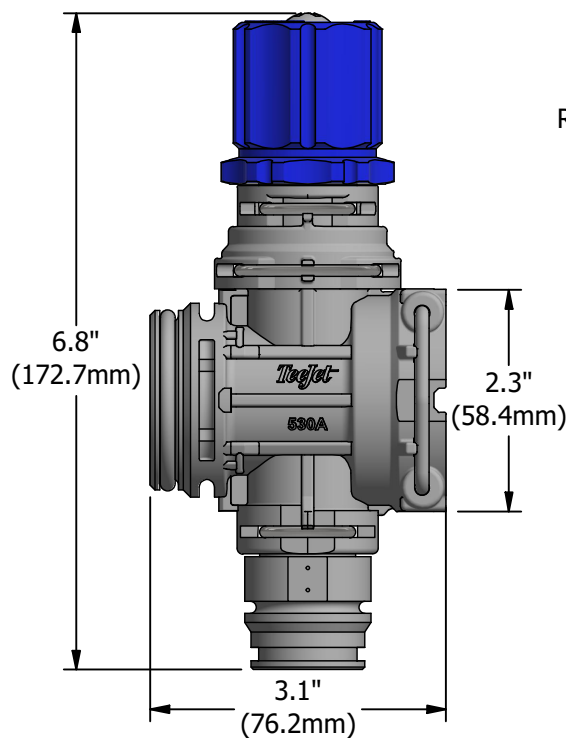
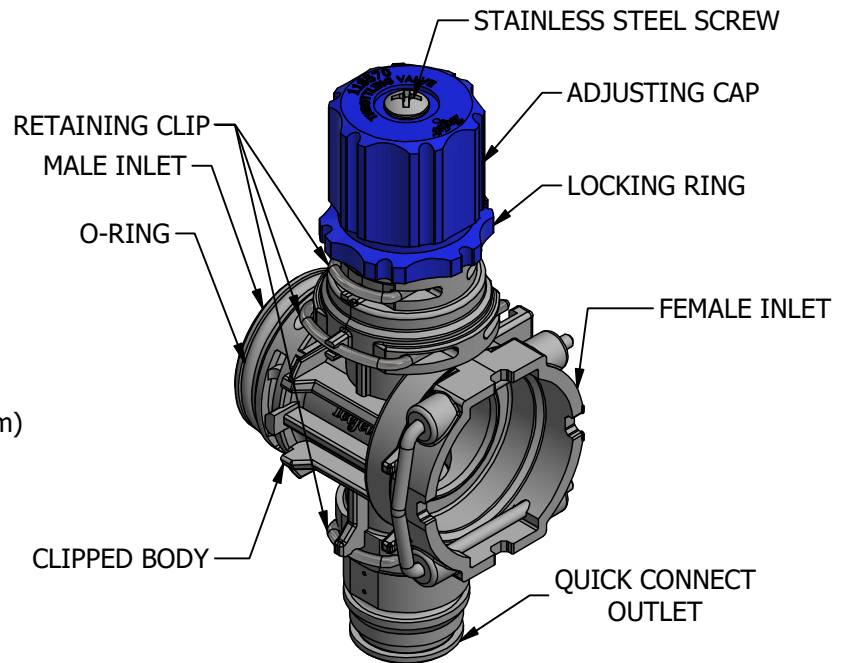


C118570-1 THROTTLING VALVES ARE GENERALLY USED FOR METERING FLOW ON SYSTEMS EQUIPPED WITH CENTRIFUGAL PUMPS, OR OTHER APPLICATIONS WHERE METERING OF FLOW IS REQUIRED.



PLEASE NOTE THAT DIMENSIONS ARE IN THE FULLY
CLOSED POSITION



FLOW RATE WITH PRESSURE DROP (FULLY OPEN POSITION)			
5 PSI	10 PSI	20 PSI	40 PSI
14.8 GPM	21.5 GPM	29.5 GPM	40.5 GPM

FLOW RATE WITH PRESSURE DROP (FULLY OPEN POSITION)			
0.3 BAR	0.7 BAR	2.1 BAR	2.8 BAR
56.0 L/MIN	81.4 L/MIN	111.7 L/MIN	153.3 L/MIN

SPECIFICATIONS

- MAXIMUM PRESSURE RATING: 290 PSI (20 BAR)
- WETTED MATERIALS: POLYPROPYLENE, NYLON, STAINLESS STEEL, FKM

FEATURES INCLUDE:

- MODULAR CLIPPED BODY ALLOWS FOR TOOL FREE ASSEMBLY OF VARIOUS ACCESSORIES AND MANIFOLD COMPONENTS
- MANUAL CONTROL OF SYSTEM PRESSURE
- DESIGNED FOR USE WITH C530A MANIFOLDS
- STAINLESS STEEL STEM PROVIDES EXCELLENT DURABILITY AND CHEMICAL RESISTANCE
- OUTLET CONNECTIONS AVAILABLE IN DIRECT HOSE BARBS AND THREADED CONNECTIONS; REFER TO PL191017
- FOR INLET OPTIONS REFER TO PL191016

HOW TO ORDER

- C118570-1 (QUICK CONNECT OUTLET)
- C118570-1-* (1/2H, 3/4H, 3/8H, 5,8H)

INDIVIDUAL PARTS NOT AVAILABLE FOR SALE

DESCRIPTION:

C118570-1 CLIPPED
BOTTOM RELIEF
THROTTLING VALVE



REVISION NO.	Data Sheet No.		
REFERENCE:	DSC118570-1		
10/16/2024	SHEET: 1 OF 1	DWG SIZE:	A