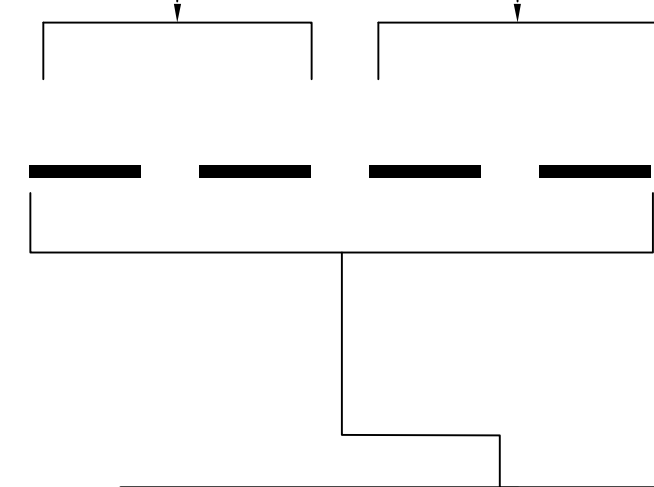


# HOW TO ORDER: QJ370D SERIES

# QJ37 D - - - - -

CHECK VALVE (FRONT)      CHECK VALVE (BACK)

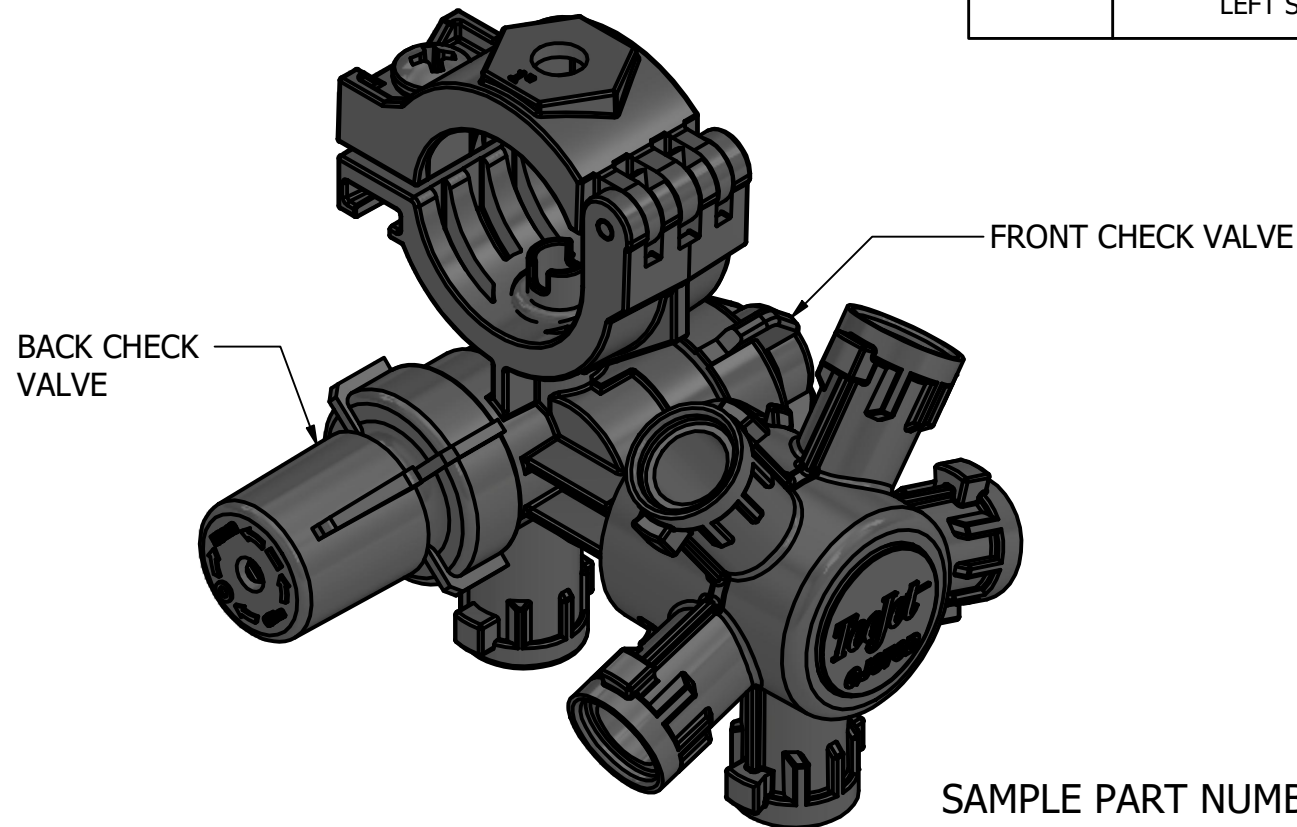


TURRET STYLE	
PART CODE	OUTLETS
3	3 OUTLETS
5	5 OUTLETS

FRONT CHECK VALVE LOCATION	
PART CODE	DIRECTION
R	FRONT CHECK VALVE - RIGHT SIDE
L	FRONT CHECK VALVE - LEFT SIDE


PIPE SIZE	
PART CODE	DESCRIPTION
1	1" PIPE
1/2	1/2" PIPE
3/4	3/4" PIPE
20MM	20MM TUBING
25MM	25MM TUBING
1W	1" PIPE WITH 21/32" LARGE INLET

SHUTOFF TYPE	
PART CODE	DESCRIPTION
C	STANDARD CHEMSAVER®
M	MANUAL CHEMSAVER®
A	AIR CHEMSAVER®
ES	12V ECO STOP
HF	12V HIGH FLOW e-CHEMSAVER®
DJ	12V e-CHEMSAVER®
EV	24V ECOSTOP
HV	24V HIGH FLOW e-CHEMSAVER®
DV	24V e-CHEMSAVER®
X	NONE



SAMPLE PART NUMBER: QJ375D-R-1-CM

DESCRIPTION:  
HOW TO ORDER  
FOR QJ370D DUAL  
NOZZLE BODY



REVISION NO.	1	Data Sheet No.	DS118694
REFERENCE:	01/11/24	SHEET:	1 OF 1
		DWG SIZE:	B