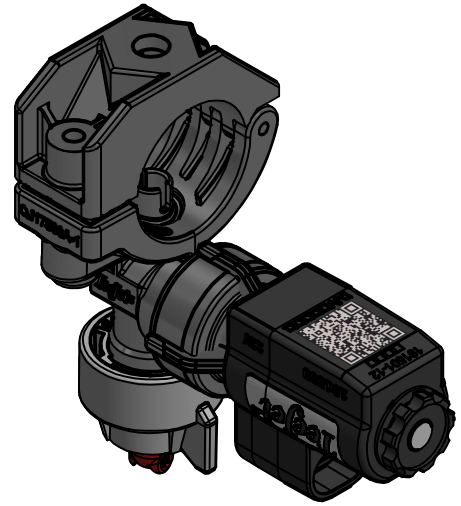


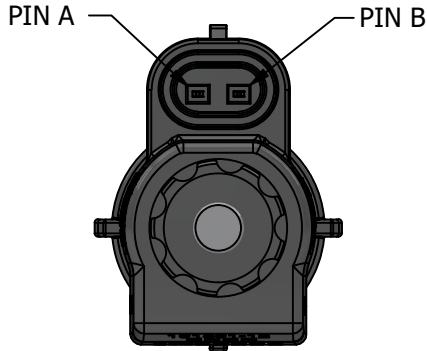
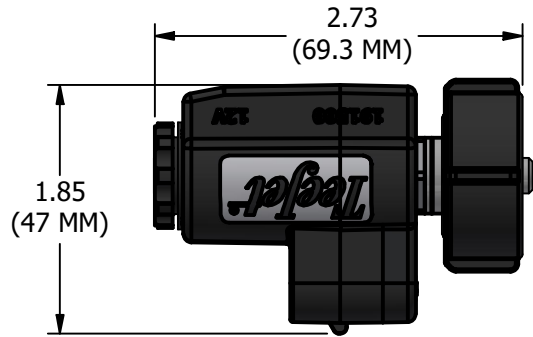
FEATURES

- ELECTRIC SOLENOID SHUT-OFF VALVE
- VALVE IS NORMALLY CLOSED FOR SAFETY
- MAXIMUM 100 PSI (7 BAR) SPRAYING PRESSURE AT MINIMUM VOLTAGE (12V) 0.6 GPM (2.27 LPM) AT 5 PSI (0.34 BAR) PRESSURE DROP
- 0.8 GPM (3.18 LPM) AT 10 PSI (0.69 BAR) PRESSURE DROP
- ALL WETTABLE PARTS ARE STAINLESS STEEL OR FKM EQUIVALENT
- CURRENT DRAW OF 0.9 AMPS (10 WATTS) AT 12 VOLTS
- VOLTAGE ENERGIZES THE SOLENOID COIL TO OPEN THE VALVE
- REMOVAL OF POWER ALLOWS A SPRING TO CLOSE THE VALVE
- REQUIRES 98552-2 CABLE W/2-PIN FEMALE SUPERSEAL 1.5 CONNECTOR



WIRING CHART

PIN TERMINAL	WIRING
1	(+) POSITIVE
2	(-) NEGATIVE
NOTE: (+) & (-) TEMRINALS CAN BE INTERCHANGED.	



NOTE: IT IS RECOMMENDED TO INCLUDE A LINE STRAINER OF 80 MESH OR FINER WITH ALL e-CHEMSAVER® APPLICATIONS

TEEJET NOZZLE BODY	e-CHEMSAVER P/N
QJ8360, QJT8360, 8360	191500-1-12
QJ17560A	191500-1-12
QJP19011	191500-1-12
QJ200 SERIES	191500-1-12
QJ300 SERIES	191500-1-12
QJ39685	191500-1-12
13431	191500-1-12
24216A, QJ24216B, 24230A, 24231A	191500-1-12
PUSH-TO-CONNECT SERIES	191500-1-12
QJ360C, QJ360F	191500-2-12
QJ370, QJ370D	191500-2-12
QJ22187	191500-2-12
QJ8355, 8355	191500-2-12
QJS SERIES	191500-4-12

HOW TO ORDER:

191500-__-12-__

TYPE (SEE APPLICATION CHART) →
 VOLTAGE →
 CABLE LENGTH CODE →

- BLANK = NO CABLE
- 05 = 0.5 METER (20")
- 15 = 1.5 METER (60")
- 30 = 3.0 METER (120")
- 60 = 6.0 METER (240")
- 200 = 20.0 METER (800")

98552-2-__: CABLE (SEE DS98552)
 CP116231-NYB: MAINTENANCE TOOL (DS116231)

<p>DESCRIPTION:</p> <p>191500-12 e-CHEMSAVER DYANJET® VALVE</p>		
	<p>REVISION NO. 1</p>	<p>Parts List No. DS191500-12</p>
	<p>REFERENCE: 04/25/24</p>	<p>SHEET: 1 OF 1 DWG SIZE: A</p>